

Technical proposal for JX-CI-4G8G-18PIN Drop-In Isolator

◆ High Performance

◆ High Reliability

Revision History

Version	Date	Author	Revision description	Comment
V1.0	2023/03/28	Vivian	Created	/

Table of content

Technical proposal for JX-CI-4G8G-18PIN Drop-In Isolator	1
1. Mechanical layout	2
2. Electrical analysis	2

Figures

Figure 1 JX-CI-4G8G-18PIN front panel layout	2
----------------------------------------------------	---

Tables

Table 1 Mechanical specifications	2
Table 2 Electrical specifications	2

JING XIN MICROWAVE TECHNOLOGY CO.,LTD

E-mail: sales@cdjx-mw.com Web: <http://www.cdjx-mw.com>

TEL: +86-28-85026087 FAX: +86-28-65026087 ext.8033 Zip Code:610045

Add: No.65,West 1st Wu Ke Road, Wu Hou District, Cheng Du City, Si Chuan Province, China.

1. Mechanical layout

Table 1 Mechanical specifications

Dimension	As shown below
Connector Type	Strip line
Notes	Material shall be RoHS 6/6

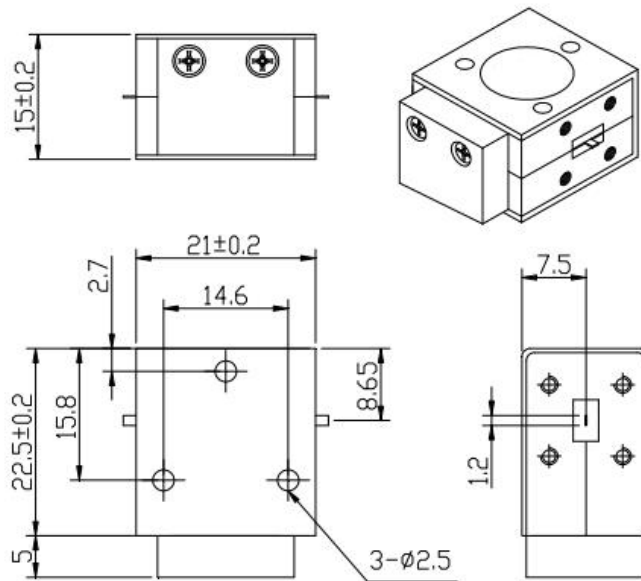


Figure 1 JX-CI-4G8G-18PIN front panel layout

2. Electrical analysis

Table 2 Electrical specifications

Item	Parameter	Specifications
1	Frequency Range	4.0-8.0GHz
2	Insert Loss	0.5dB max
3	Isolation	18dB min
4	VSWR	1.3 max
5	Forward Power	50W CW
6	Reverse Power	10W
7	Temperature	-10°C to +60°C

JING XIN MICROWAVE TECHNOLOGY CO.,LTD

E-mail: sales@cdjx-mw.com Web: <http://www.cdjx-mw.com>

TEL: +86-28-85026087 FAX: +86-28-65026087 ext.8033 Zip Code:610045

Add: No.65,West 1st Wu Ke Road, Wu Hou District, Cheng Du City, Si Chuan Province, China.